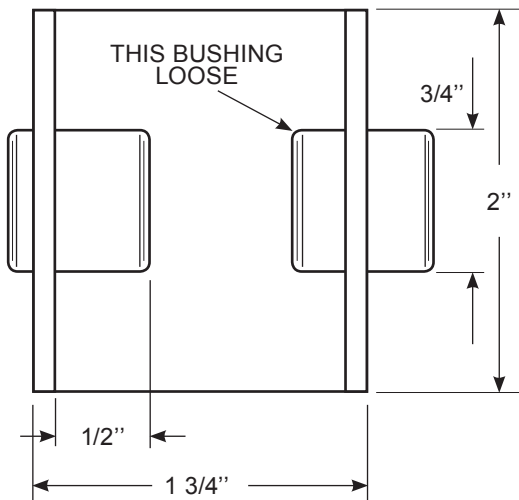
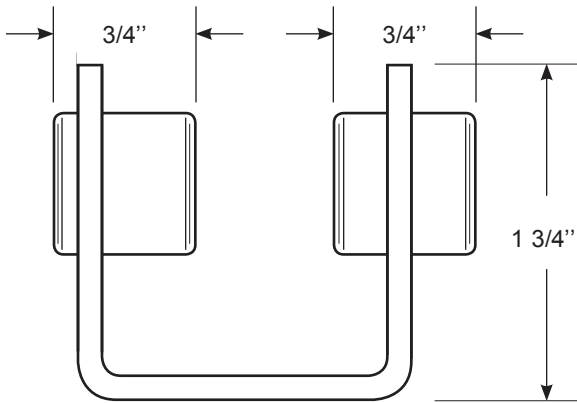
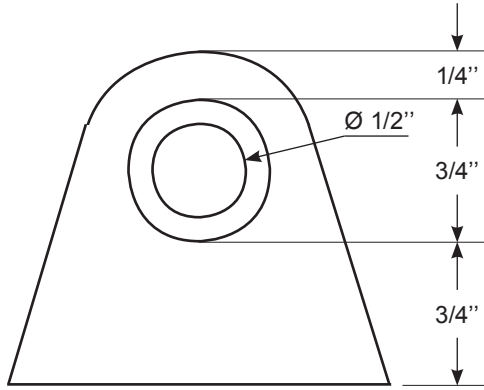


Weld-On Shock Absorber Mount Bracket Dimensions

Part No. 97-010
 Flat Mount Bracket
 (Not to scale)
 Dimensions (except bushing ID, OD, and length) +/- 1/16"
 Material: 11 gauge mild steel



Part No. 97-011
 Tube Mount Bracket
 (Not to scale)
 Dimensions (except bushing ID, OD, and length) +/- 1/16"
 Material: 11 gauge mild steel

